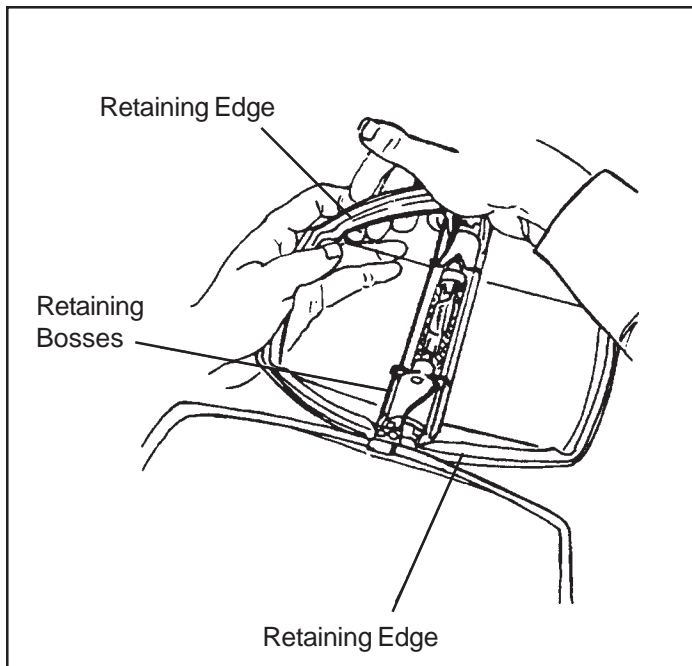
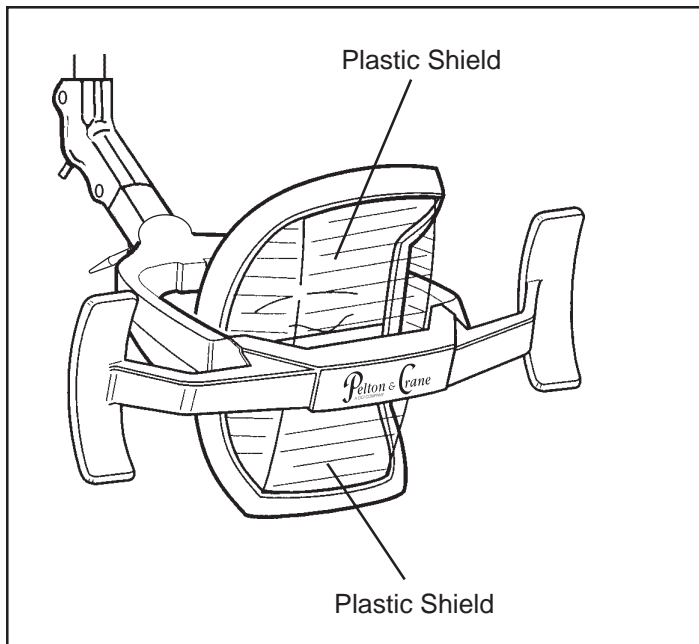


8. How to clean light reflector



Maintenance and Adjustment

Cleaning Plastic Shields

The LF II has two plastic shields. Both plastic shields may be removed for cleaning. To remove plastic shields, the following procedure should be performed:



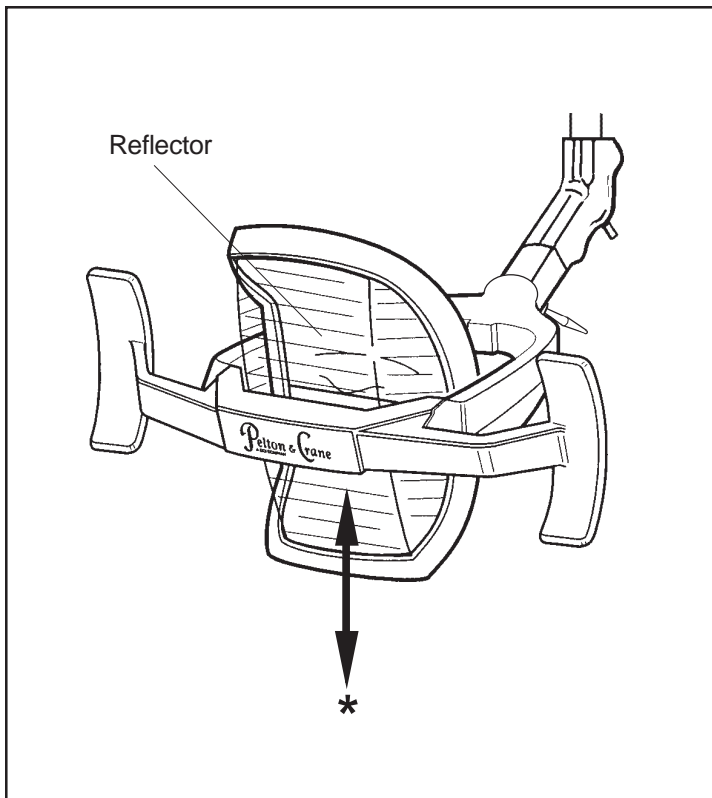
WARNING: To avoid burning fingers or hand, ensure lamp is off and cool.

- Open rear of light by depressing small pin on side of light frame.
- Gently squeeze one side of plastic shield to be cleaned until edge is inside the frame retaining edge.
- Remove by pushing plastic shield through back side of light.
- Wash the shield in a mild detergent and water, and dry with soft cloth. The plastic shield is unbreakable but may be easily scratched.
- Replace plastic shield by placing one side of plastic shield in position behind the frame retaining edge with edge of shield against retaining bosses. Push other side straight down until shield snaps in place.



WARNING: Do not operate light unless plastic shields are in place. Shields provide protection in case of lamp explosion.

Maintenance and Adjustment (cont'd)



Cleaning Reflector

The Light Fantastic II is a precise optical instrument that when properly cared for will provide years of trouble-free operation. The front of the reflector should be cleaned no more than every six months for optimum performance. For normal cleaning, the following procedure should be performed:



CAUTION: Do not use abrasives, chlorine or ammonia when cleaning reflector. Do not rub heavily. Do not clean when reflector is hot. Do not soak in cleaning solution. Do not routinely clean front of reflector at more frequent intervals than specified. Failure to comply with any of the above cautions can result in degradation of the optical coating.

- Saturate clean, soft, lint-free cloth with 50% of isopropyl alcohol and 50% of distilled water.
- Wipe reflector in **lengthwise** direction only (*), never from side to side.
- Use clean, dry cloth and wipe lightly in the same **direction** to remove all alcohol.

The rear surface of the reflector may be cleaned as necessary using a soft cloth dampened with a mild detergent. Take care not to permit cleaning solution to contact front surface.

Cleaning and Sterilizing Autoclavable Handle

The handle may be cleaned with a soft cloth and mild detergent. The handle may be safely sterilized using the following methods; steam autoclaving, dry heat sterilization up to 320° F (160° C), ethylene oxide sterilization, gamma radiation and cold sterilization.



CAUTION: Some cold sterilants may discolor handles with use over a prolonged period of time.

